



Date _____ Customer code C- _____
 Invoice address _____ Contact person _____
 _____ Reference _____
 _____ Other delivery address _____

Invoice address = delivery address Quote

The chair will be used as seat for car transport.

Basic price: 2.070,- €

Excl. VAT

Seat width	D63040 <input type="checkbox"/> 400 mm	Capacity Max. 135 kg Seat height See page 5 Seat depth 425 – 500 mm adjustable by 25 mm per step (Standard 500 mm)
	D63045 <input type="checkbox"/> 450 mm	
	D63050 <input type="checkbox"/> 500 mm	
D22153 <input type="checkbox"/> Arm support comfort pads (reduces the SW with 2 x 20 mm)		150,- €
D28002 <input type="checkbox"/> Adjustment of seat depth – please state the wished seat depth:	<input type="checkbox"/> 425 mm <input type="checkbox"/> 450 mm <input type="checkbox"/> 475 mm <input checked="" type="checkbox"/> 500 mm	70,- €

= Standard equipment

QUICK ORDER

only page 1 is send

Item nr.	Description	Price in €
Standard <input checked="" type="checkbox"/>	Head rest A, with side support	0,-
D26574 <input type="checkbox"/>	Head rest B, small, oval	0,-
D26573 <input type="checkbox"/>	Head rest C, large, square	0,-
D26576 <input type="checkbox"/>	Head rest D, comfort (pressure distributive)	240,-
D82567 <input type="checkbox"/>	Headrest A with head band	342,-
D82568 <input type="checkbox"/>	Extra comfort pads for the head band of D82567, pair	32,-
D21085 <input type="checkbox"/>	Drum brakes	250,-
D25059 <input type="checkbox"/>	Universal tray	210,-
D21052 <input type="checkbox"/>	Upholstery for tray	120,-
D20845 <input type="checkbox"/>	Hip belt, with upholstery and car belt lock	120,-

FRAME

Standard	<input checked="" type="checkbox"/>	Fixed push bow	0,-
Standard	<input checked="" type="checkbox"/>	Anti tip, swingable	0,-
Standard	<input checked="" type="checkbox"/>	User brake	0,-
D86099	<input type="checkbox"/>	Brake lever extension +70 mm (length 200 mm) to be mounted by dealer	169,-
D28972	<input type="checkbox"/>	Anti tip with pedal, pair	200,-
D28001	<input type="checkbox"/>	Frame extension including longer anti tippers	300,-

HEAD SUPPORT AND ACCESSORIES (Please also see page 1)

D27577	<input type="checkbox"/>	Headrest E with adjustable side supports	310,-
D27581	<input type="checkbox"/>	Headrest E with shorter side support right	400,-
D27582	<input type="checkbox"/>	Headrest E with shorter side support left	400,-
D27578	<input type="checkbox"/>	Headrest F with cheek support	310,-
D21027	<input type="checkbox"/>	Headrest adjustment tube (horizontal) + 100 mm, length 250 mm	90,-
D21028	<input type="checkbox"/>	Headrest adjustment tube (horizontal) + 230 mm, length 380 mm	100,-

BACK UNIT

Standard	<input checked="" type="checkbox"/>	Back cushion Netti Uno - with 100 mm side support - Easy Care cover	0,-
Standard	<input checked="" type="checkbox"/>	Back height 500 mm (incl. one piece fabric back)	0,-
D86146	<input type="checkbox"/>	Side supports Basic, pair	369,-
D28512	<input type="checkbox"/>	Side support Correction left	210,-
D28511	<input type="checkbox"/>	Side support Correction right	210,-
D42177	<input type="checkbox"/>	Extra push bow, angel adjustable	270,-



SEAT UNIT

Standard	<input checked="" type="checkbox"/>	Seat cushion Netti Uno with Easy Care cover	0,-
D21007	<input type="checkbox"/>	Pressure relief seat cushion Netti Sit with Easy Care cover	380,-
D21017	<input type="checkbox"/>	Pressure relief seat cushion Netti Sit °C with temperature regulating features and incontinence layer under the 3D cover	530,-
D60001	<input type="checkbox"/>	Abduction belt	530,-
D86282	<input type="checkbox"/>	Belt bracket kit	104,-
D27493	<input type="checkbox"/>	Abduction block small (W: 80 mm x L: 140 mm x H: 80 mm)	250,-
D27494	<input type="checkbox"/>	Abduction block medium (W: 110 mm x L: 150 mm x H: 80 mm)	250,-
D27495	<input type="checkbox"/>	Abduction block large (W: 140 mm x L: 170 mm x H: 80 mm)	250,-



LEG SUPPORTS

For the Netti 4U CE you have 2 different types of leg supports with various accessories. Please contact us for consultation.



Manually angle adjustable leg supports

Standard		<input checked="" type="checkbox"/> Manually angle adjustable leg supports with -automatic length adjustment -angle adjustable foot plates -calf supports and knee upholstery	0,-
D88211		<input type="checkbox"/> Leg support upper parts with lever instead of star wheel for angle adjustment	85,-
		Bodypoint ankle huggers with upholstery <input type="checkbox"/> D44863 S (L: 170-200 mm) 230,- <input type="checkbox"/> D44864 M (L: 190-230 mm) 230,- <input type="checkbox"/> D44865 L (L: 220-290 mm) 240,- <input type="checkbox"/> D44904 XL (L: 280-330 mm) 260,-	
D21745		<input type="checkbox"/> Calf support bracket upholstery - pair - skai cover	60,-
D41617		<input type="checkbox"/> Calf support upholstery extra soft - pair - EC cover	210,-
D23014		<input type="checkbox"/> Footfixation	140,-
D28453		<input type="checkbox"/> Foot plate upholstery - pair - skai cover	290,-
D86900		<input type="checkbox"/> Bodypoint calf strap M	172,-
D86901		<input type="checkbox"/> Bodypoint calf strap L	172,-

Universal leg supports

D24005		<input type="checkbox"/> Universal leg supports with knee angle adjustment, adjustable below 90° for contract leg situations with seat unit tilted when chair is pushed	130,-
		Bodypoint ankle huggers with upholstery incl. mounting kit <input type="checkbox"/> D44863 S (L: 170-200 mm) 230,- <input type="checkbox"/> D44864 M (L: 190-230 mm) 230,- <input type="checkbox"/> D44865 L (L: 220-290 mm) 240,- <input type="checkbox"/> D44904 XL (L: 280-330 mm) 260,-	
D23014		<input type="checkbox"/> Footfixation	140,-
D86900		<input type="checkbox"/> Bodypoint calf strap M	172,-
D86901		<input type="checkbox"/> Bodypoint calf strap L	172,-

ARM SUPPORTS AND ACCESSORIES

Standard		Arm supports height and depth adjustable	0,-
Standard		Arm pads 385 x 58 mm	0,-
D41649	<input type="checkbox"/>	Arm pad upholstery extra soft - pair - EC cover (not to be combined with a tray)	110,-

D23003	<input type="checkbox"/>	Hemiplegic cushion, one piece	210,-
D22185	<input type="checkbox"/>	Arm support hemiplegic left (not to be combined with a tray)	320,-
D22186	<input type="checkbox"/>	Arm support hemiplegic right (not to be combined with a tray)	320,-

MAIN WHEELS

Standard	<input checked="" type="checkbox"/>	Main wheels 24 x 1" PU incl. quick release	0,-
M70315	<input type="checkbox"/>	Main wheels 12½" PU with drum brakes – frame brakes are delivered with the chair but are not compatible with the 12" wheels. Please contact us for an offer of a frame brake option. (Please note! These wheels are delivered in an extra box and are to be mounted by the dealer).	366,-
M70316	<input type="checkbox"/>	Main wheels 16" PU with drum brakes. (Please note! These wheels are delivered in an extra box and are to be mounted by the dealer.)	366,-
D22009	<input type="checkbox"/>	Hand and spoke protector transparent, pair	150,-

FRONT CASTORS

Standard	<input checked="" type="checkbox"/>	Front wheels: 7" – 175 x 33 PU	0,-
D21021	<input type="checkbox"/>	Front wheels: 7" – 175 x 45 PU wheel - puncture proof - with PU infill (necessary for supportive engines)	90,-

TRAYS (please also see page 1)

D21050	<input type="checkbox"/>	Tray reinforced	380,-
D24001	<input type="checkbox"/>	Tray swingable	260,-
D24002	<input type="checkbox"/>	Tray lockable	260,-

VARIOUS ACCESSORIES

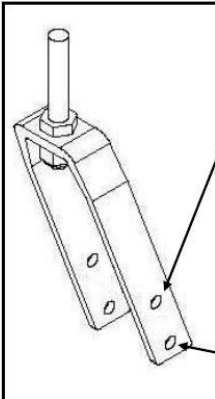
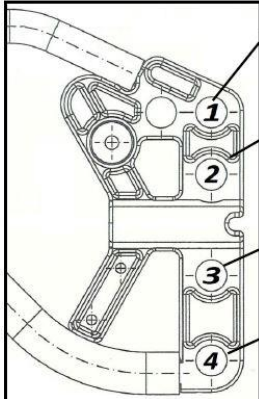
D21239	<input type="checkbox"/>	Tool kit	100,-
D41987	<input type="checkbox"/>	Intravenous rack	320,-

TECHNICAL DATA

Tilt (seat)	-5° to +20°
Recline (back)	92° to 137°
Total width of the wheelchair	Seat width + 180 mm (std. wheels)/ + 195 mm (DB wheels) / +170 mm (12" + 16" DB wheels)
Total length	1130 mm with leg rests
Total height	1030 mm
Distance arm support to seat plate	Min. 260 mm / max. 355 mm
Weight of wheelchair	App. 28 kg (without cushions)
Frame colour	Blue

Cover variant	Easy Care antibacterial cover, washable
Crashtest	ISO 7176-19 (125 kg) – for information concerning car transport, please see the user manual on our website.

Seat height – WITHOUT seat cushion (measured from floor to seat plate)

Netti 4U comfort <u>View side frame left</u>	Seat heights by using different rear/front wheels and different frame- and front castor positions
Front wheel	Frame rear side
 <p>Front wheel upper hole = Rear hole 1 22" = 440 mm Rear hole 1 24" = 465 mm Rear hole 3 16" = 460 mm Rear hole 4 12" = 460 mm</p> <p>Front wheel lower hole = Rear hole 2 22" = 475 mm Rear hole 2 24" = 500 mm Rear hole 4 16" = 510 mm</p>	 <p>Hole 1 = 22" & 24" 22" = Seat height 440 mm 24" = Seat height 465 mm STD</p> <p>Hole 2 = 22" & 24" 22" = Seat height 475 mm 24" = Seat height 500 mm</p> <p>Hole 3 = 16" Seat height 460 mm</p> <p>Hole 4 = 12" & 16" 12" = Seat height 460 mm 16" = Seat height 510 mm</p>

Leg rest type	Min. calf length	Max. calf length
Manual adjustable leg rests	320 mm	680 mm
Universal leg rests	360 mm	500 mm

